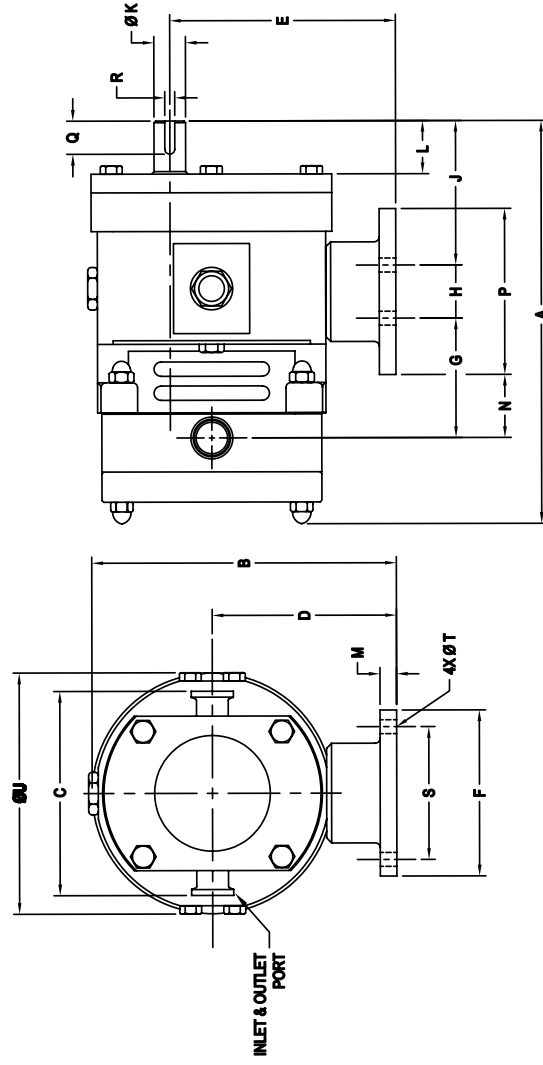


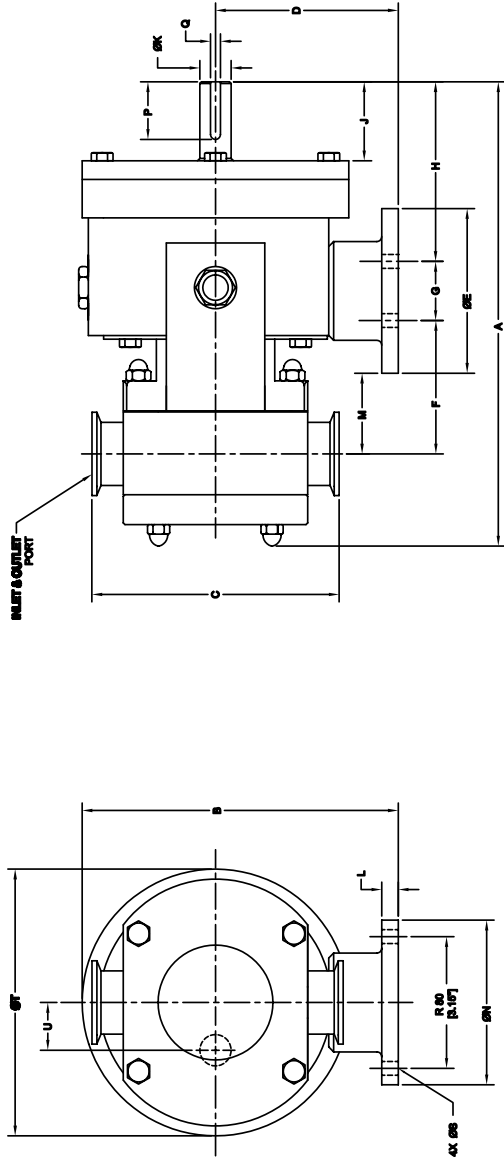
# FL II 15 and 58 Horizontal Dimensional Pump Assembly



PUMP MODEL	INLET & OUTLET	DIMENSIONS IN MILLIMETERS (INCHES)																		
		A	B	C	D	E	F	G	H	J	ØK	L	M	N	P	Q	R	S	ØT	ØU
15	3/4"	243 (9.57)	184 (7.24)	123 (4.84)	111 (4.37)	136 (5.35)	100 (3.94)	72 (2.83)	32 (1.26)	87 (3.42)	196	32 (1.26)	10 (.39)	38 (1.50)	100 (3.94)	20 (.79)	6 (.24)	80 (3.15)	Ø8.4 (Ø.33)	145 (5.71)
58S	1"	282 (11.10)	192 (7.56)	150 (5.90)	111 (4.37)	140 (5.51)	100 (3.94)	81 (3.19)	36 (1.42)	109 (4.29)	196	48 (1.89)	10 (.39)	49 (1.93)	100 (3.94)	35 (1.38)	6 (.24)	80 (3.15)	Ø8.4 (Ø.33)	182 (7.17)
58L	1-1/2"	294 (11.57)	192 (7.56)	150 (5.90)	111 (4.37)	140 (5.51)	100 (3.94)	86.5 (3.41)	36 (1.42)	109 (4.29)	196	48 (1.89)	10 (.39)	54.5 (2.15)	100 (3.94)	35 (1.38)	6 (.24)	80 (3.15)	Ø8.4 (Ø.33)	182 (7.17)

120000228 Rev -

# FL II 15 and 58 Vertical Dimensional Pump Assembly



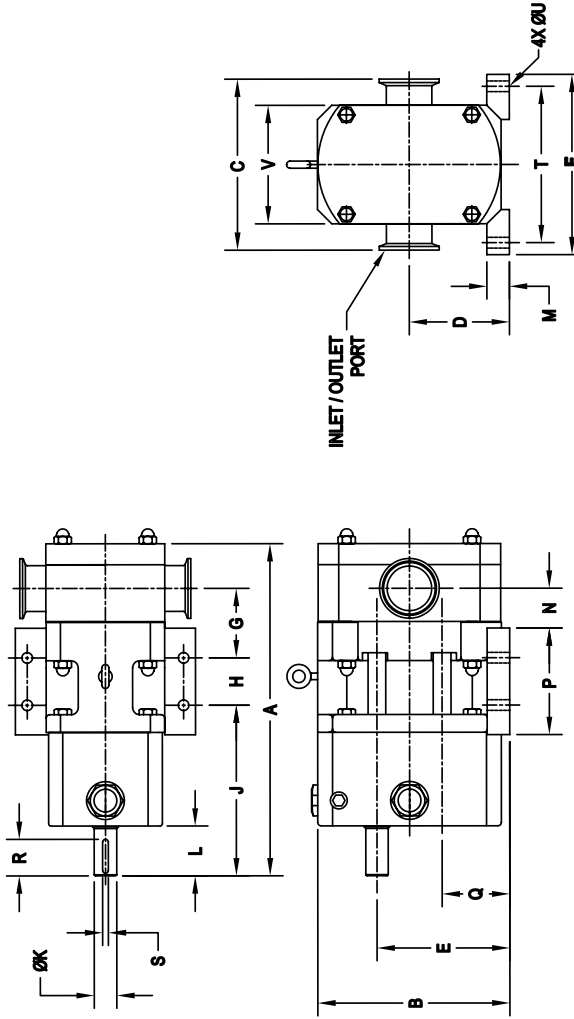
PUMP MODEL	INLET & OUTLET	DIMENSIONS IN MILLIMETERS (INCHES)																		
		A	B	C	D	ØE	F	G	H	J	ØK	L	M	ØN	P	Q	R	S	T	ØU
15	3/4"	230 (9.057)	104 (7.244)	123 (4.844)	111 (4.377)	100 (3.944)	72 (2.835)	32 (1.260)	87 (3.427)	32 (1.260)	198	10 (.394)	38 (1.500)	100 (3.944)	20 (.787)	6 (.240)	80 (3.150)	Ø8.4 (Ø.331)	25 (.984)	145 (5.711)
58S	1"	282 (11.107)	182 (7.167)	150 (5.907)	111 (4.377)	100 (3.944)	81 (3.193)	38 (1.496)	109 (4.291)	48 (1.890)	198	10 (.394)	49 (1.929)	100 (3.944)	35 (1.378)	6 (.240)	80 (3.150)	Ø8.4 (Ø.331)	29 (1.142)	162 (6.417)
58L	1-1/2"	294 (11.577)	182 (7.167)	150 (5.907)	111 (4.377)	100 (3.944)	86.5 (3.411)	38 (1.496)	109 (4.291)	48 (1.890)	198	10 (.394)	54.5 (2.150)	100 (3.944)	35 (1.378)	6 (.240)	80 (3.150)	Ø8.4 (Ø.331)	19 (.748)	162 (6.417)

12/2003/0228 Rev. -

*Due to Fristam Pumps commitment to continuous improvement, specifications are subject to change without notice.*

# FL II 75 and 100 Horizontal Dimensional Pump Assembly

PUMP MODEL	INLET & OUTLET	DIMENSIONS IN MILLIMETERS (INCHES)																			
		A	B	C	D	E	F	G	H	J	L	M	N	P	Q	R	S	T	ØU	V	
75S	1-1/2"	326 (12.841)	210.5 (8.297)	174 (6.857)	106.5 (4.277)	146 (5.757)	180 (7.097)	82.5 (3.248)	55 (2.177)	161 (6.347)	296 (11.654)	53 (2.087)	19 (.757)	32.5 (1.287)	115 (4.537)	71 (2.787)	45 (1.777)	8 (.327)	180 (6.307)	Ø9 (.357)	129 (5.087)
75L	2"	341 (13.437)	210.5 (8.297)	180 (7.097)	106.5 (4.277)	146 (5.757)	180 (7.097)	70 (2.767)	55 (2.177)	161 (6.347)	296 (11.654)	53 (2.087)	19 (.757)	40 (1.577)	115 (4.537)	71 (2.787)	45 (1.777)	8 (.327)	180 (6.307)	Ø9 (.357)	129 (5.087)
100S	2-1/2"	413.5 (16.287)	275 (10.827)	223 (8.787)	140 (5.517)	190 (7.487)	225.5 (8.887)	61 (2.407)	70 (2.767)	224 (8.827)	406 (15.987)	80 (3.157)	32 (1.257)	42 (1.657)	108 (4.257)	90 (3.547)	65 (2.567)	12 (.477)	200 (7.887)	Ø10.8 (.437)	170 (6.697)
100L	3"	443.5 (17.467)	275 (10.827)	243 (9.577)	140 (5.517)	190 (7.487)	80 (3.157)	80 (3.157)	70 (2.767)	224 (8.827)	406 (15.987)	80 (3.157)	32 (1.257)	61 (2.407)	108 (4.257)	90 (3.547)	74 (2.917)	12 (.477)	200 (7.887)	Ø10.8 (.437)	170 (6.697)

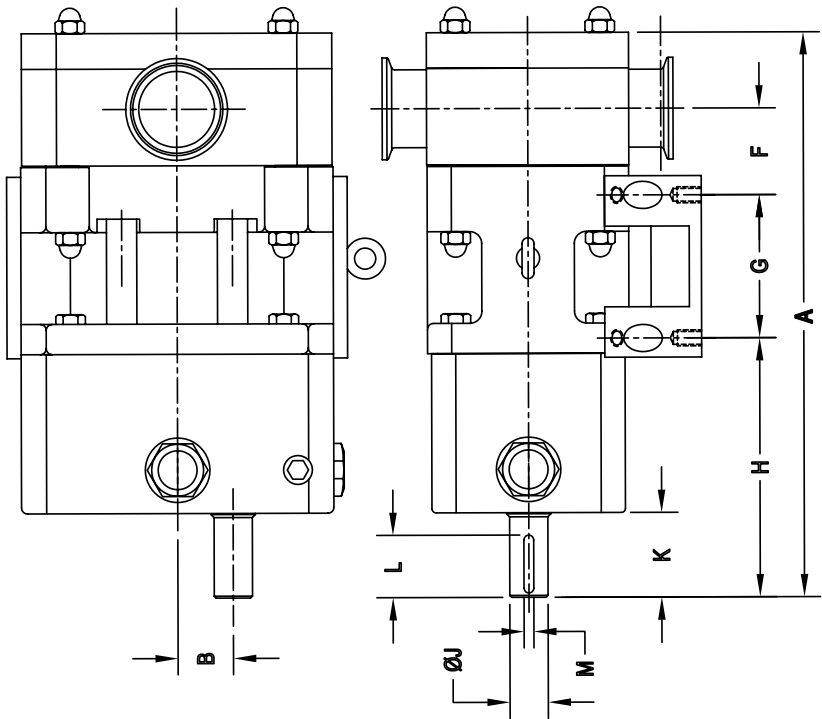


128500047 Rev A

Due to Fristam Pumps commitment to continuous improvement, specifications are subject to change without notice.

# FL II 75 and 100 Vertical Dimensional Pump Assembly

PUMP MODEL	INLET & OUTLET	DIMENSIONS IN MILLIMETERS(INCHES)															
		A	B	C	D	E	F	G	H	ØJ	K	L	M	N	P	Q	
75S	1-1/2"	326 (12.84")	37.5 (1.48")	174 (6.85")	102 (4.02")	217 (8.54")	46.5 (1.83")	87 (3.42")	145 (5.71")	286 (11.26")	53 (2.08")	45 (1.77")	8 (.32")	198 (7.79")	5/16"-18 TAP	129 (5.08")	
75L	2"	341 (13.44")	37.5 (1.48")	180 (7.09")	102 (4.02")	217 (8.54")	54 (2.13")	87 (3.42")	145 (5.71")	286 (11.26")	53 (2.08")	45 (1.77")	8 (.32")	198 (7.79")	5/16"-18 TAP	129 (5.08")	
100S	2-1/2"	413.5 (16.28")	50 (1.97")	223 (8.78")	180 (7.10")	274 (10.80")	60.5 (2.38")	70 (2.76")	225 (8.85")	406 (16.00")	80 (3.15")	65 (2.56")	12 (.47")	249 (9.80")	3/8"-16 TAP	170 (6.69")	
100L	3"	443.5 (17.46")	50 (1.97")	243 (9.57")	180 (7.10")	274 (10.80")	79 (3.11")	70 (2.76")	225 (8.85")	406 (16.00")	80 (3.15")	65 (2.56")	12 (.47")	249 (9.80")	3/8"-16 TAP	170 (6.69")	



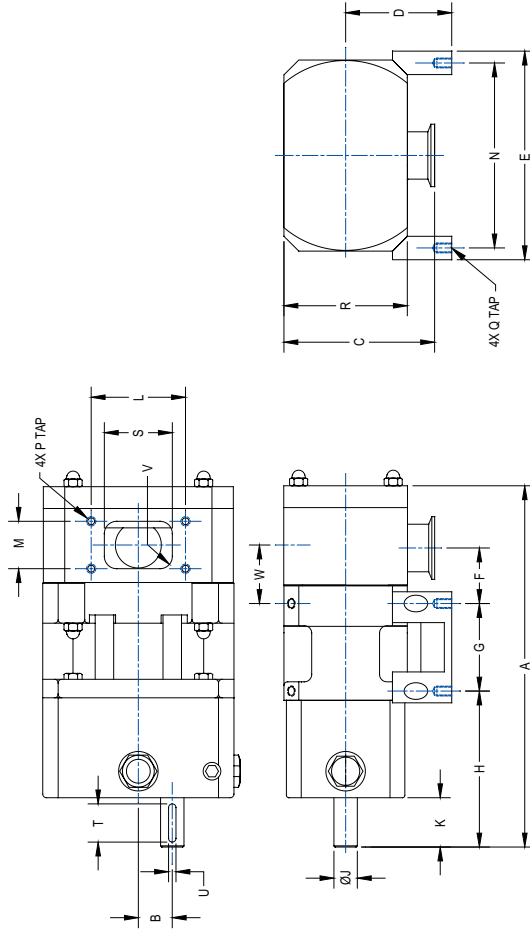
126500048 Rev A

Due to Fristam Pumps commitment to continuous improvement, specifications are subject to change without notice.

# FL II 75 and 100 Dimensional Pump Assembly - Rectangular Inlet

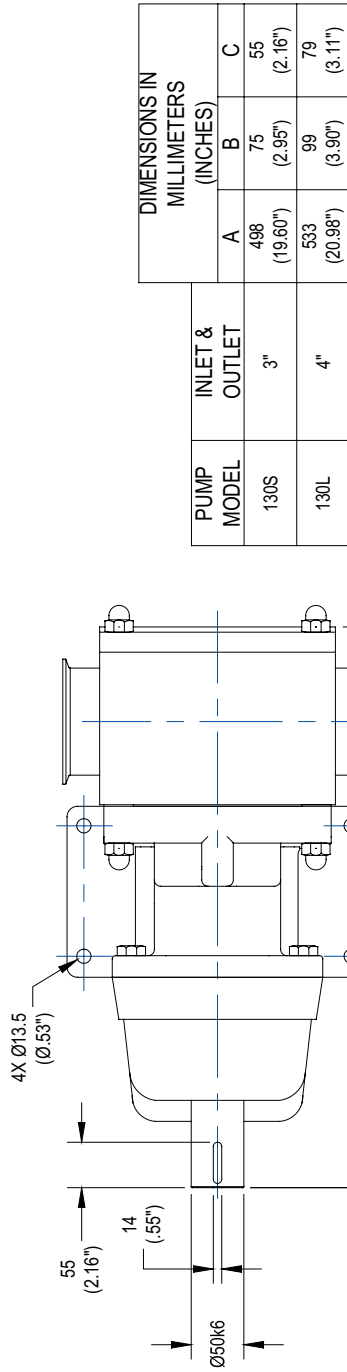
PUMP MODEL	INLET & OUTLET	DIMENSIONS IN MILLIMETERS(INCHES)																				
		A	B	C	D	E	F	G	H	ØJ	K	L	M	N	P	Q	R	S	T	U	V	W
75S	1.5"	326 (12.84)	37.5 (1.48)	152 (5.98)	102 (4.02)	217 (8.54)	46.5 (1.83)	87 (3.42)	145 (5.71)	286 (11.26)	53 (2.08)	110 (4.33)	36 (1.42)	198 (7.79)	M8X1.25-8 DEEP 5/16"-18	129 (5.08)	80 (3.15)	45 (1.77)	8 (.32)	8 (.32)	R12.7 (.50R)	46.5 (1.83)
75L	2"	341 (13.43)	37.5 (1.48)	155 (6.10)	102 (4.02)	217 (8.54)	87 (3.42)	145 (5.71)	286 (11.26)	53 (2.08)	110 (4.33)	51 (2.01)	198 (7.79)	M8X1.25-8 DEEP 5/16"-18	139 (5.08)	80 (3.15)	45 (1.77)	8 (.32)	8 (.32)	R12.7 (.50R)	54 (2.13)	
100S	2.5"	413.5 (16.28)	50 (1.97)	188 (7.40)	180 (7.10)	274 (10.80)	60.5 (2.38)	70 (2.76)	225 (8.85)	406 (15.99)	80 (3.15)	150 (5.91)	55 (2.16)	249 (9.80)	M10X1.5-10 DEEP 3/8"-16	170 (6.69)	110 (4.33)	65 (2.56)	12 (.47)	12 (.47)	R12.7 (.50R)	58.5 (2.30)
100L	3"	443.5 (17.46)	50 (1.97)	208 (8.19)	180 (7.10)	274 (10.80)	79 (3.11)	70 (2.76)	225 (8.85)	406 (15.99)	80 (3.15)	150 (5.91)	85 (3.35)	249 (9.80)	M10X1.5-10 DEEP 3/8"-16	170 (6.69)	110 (4.33)	65 (2.56)	12 (.47)	12 (.47)	R12.7 (.50R)	73.5 (2.89)

1265000049  
7/25/02

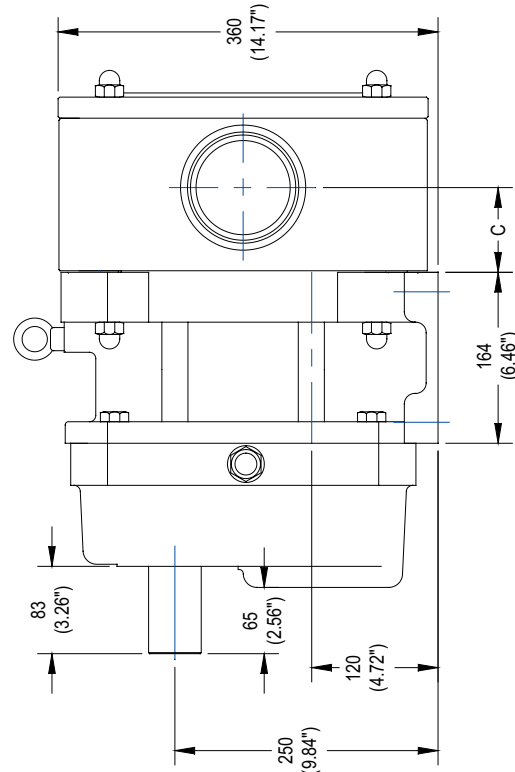
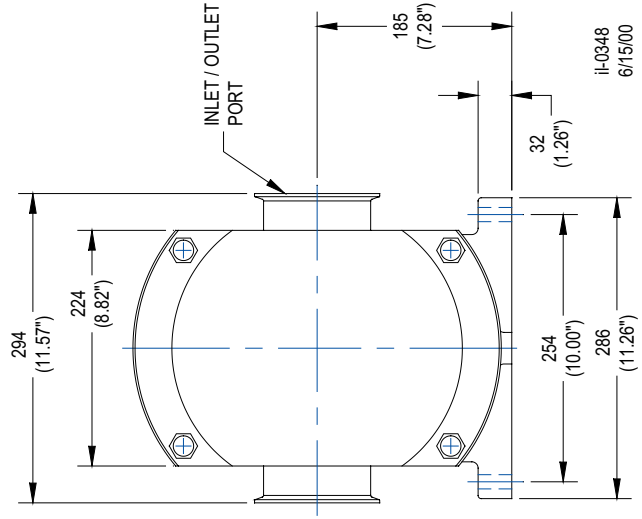


Due to Fristam Pumps commitment to continuous improvement, specifications are subject to change without notice.

# FL II 130 Horizontal Dimensional Pump Assembly



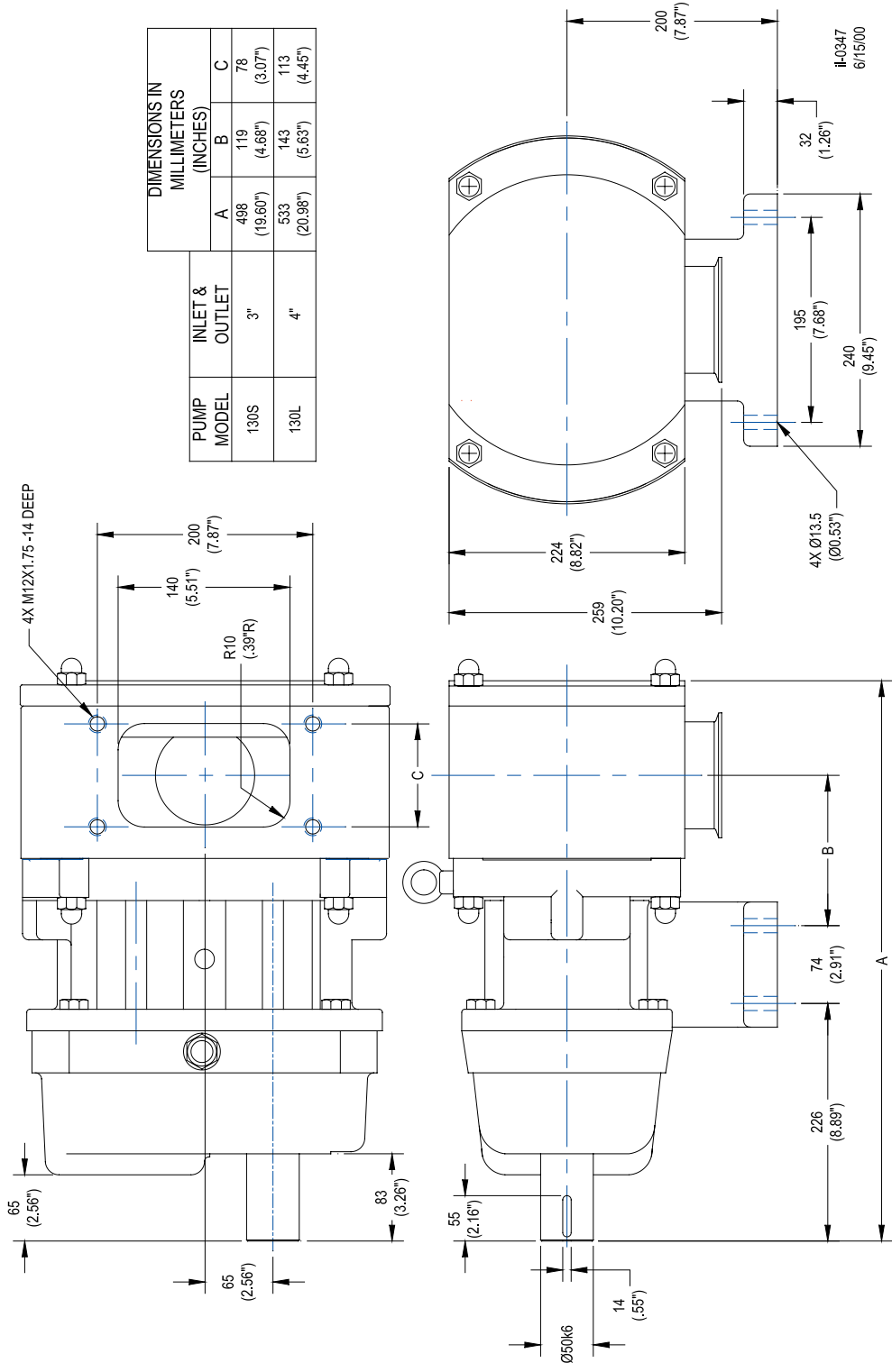
PUMP MODEL	INLET & OUTLET	DIMENSIONS IN MILLIMETERS (INCHES)		
		A	B	C
130S	3"	498 (19.60")	75 (2.95")	55 (2.16")
130L	4"	533 (20.98")	99 (3.90")	79 (3.11")



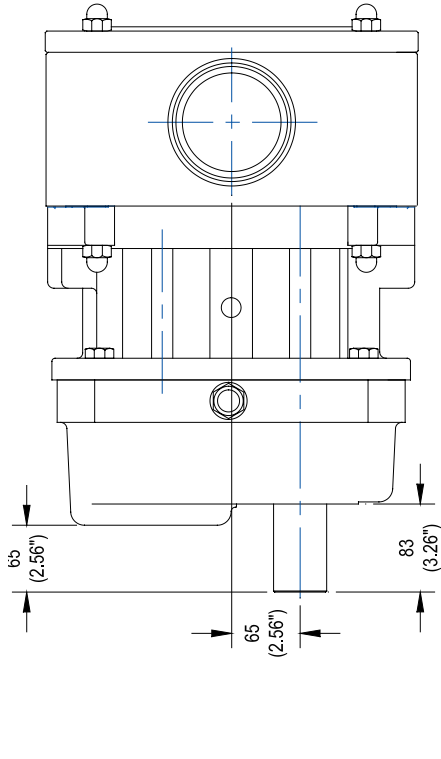
*Due to Fristam Pumps commitment to continuous improvement, specifications are subject to change without notice.*

il-0348  
6/15/00

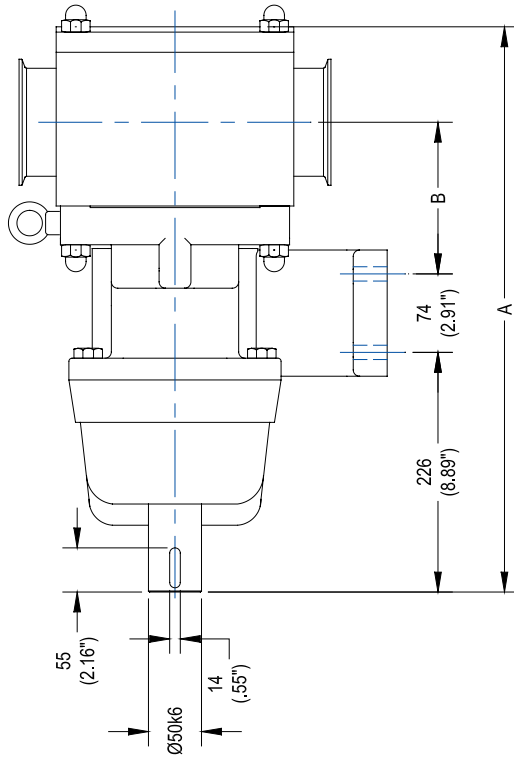
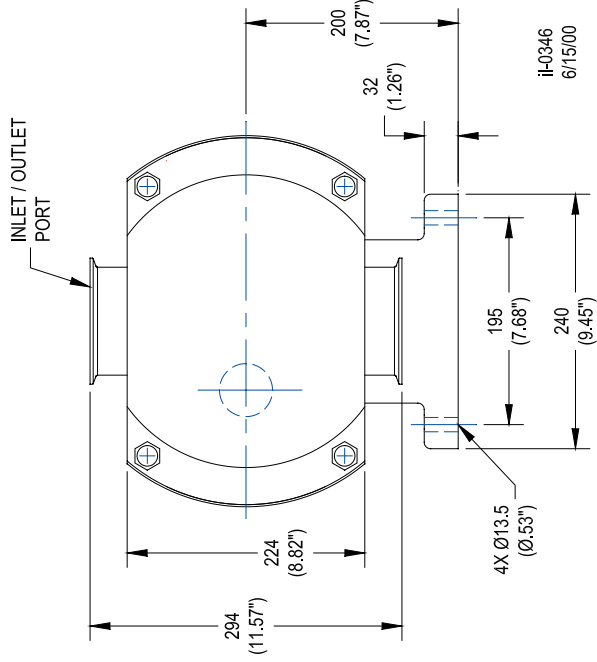
# FL II 130 Dimensional Pump Assembly - Rectangular Inlet



# FL II 130 Vertical Dimensional Pump Assembly



PUMP MODEL	INLET & OUTLET	DIMENSIONS IN MILLIMETERS (INCHES)	
		A	B
130S	3"	498 (19.60")	119 (4.68")
130L	4"	533 (20.98")	143 (5.63")



*Due to Fristam Pumps commitment to continuous improvement, specifications are subject to change without notice.*