

# EXPLODED VIEW OF FZX

- 1. Cover Nut
- 2. Pump Cover
- 3. Impeller Nut
- 3a. Impeller Bolt\*
- 3b. Impeller Bolt Washer \*
- 4. Cover Gasket
- 5. Impeller Nut Gasket
- 5a. Impeller Bolt O-ring\*
- 5b. Impeller Washer O-ring\*
- 6. Impeller
- 7. Impeller O-ring
- 8. Housing Studs
- 9. Pump Housing
- 10. Water Pipes

## DOUBLE EXTERNAL SEAL

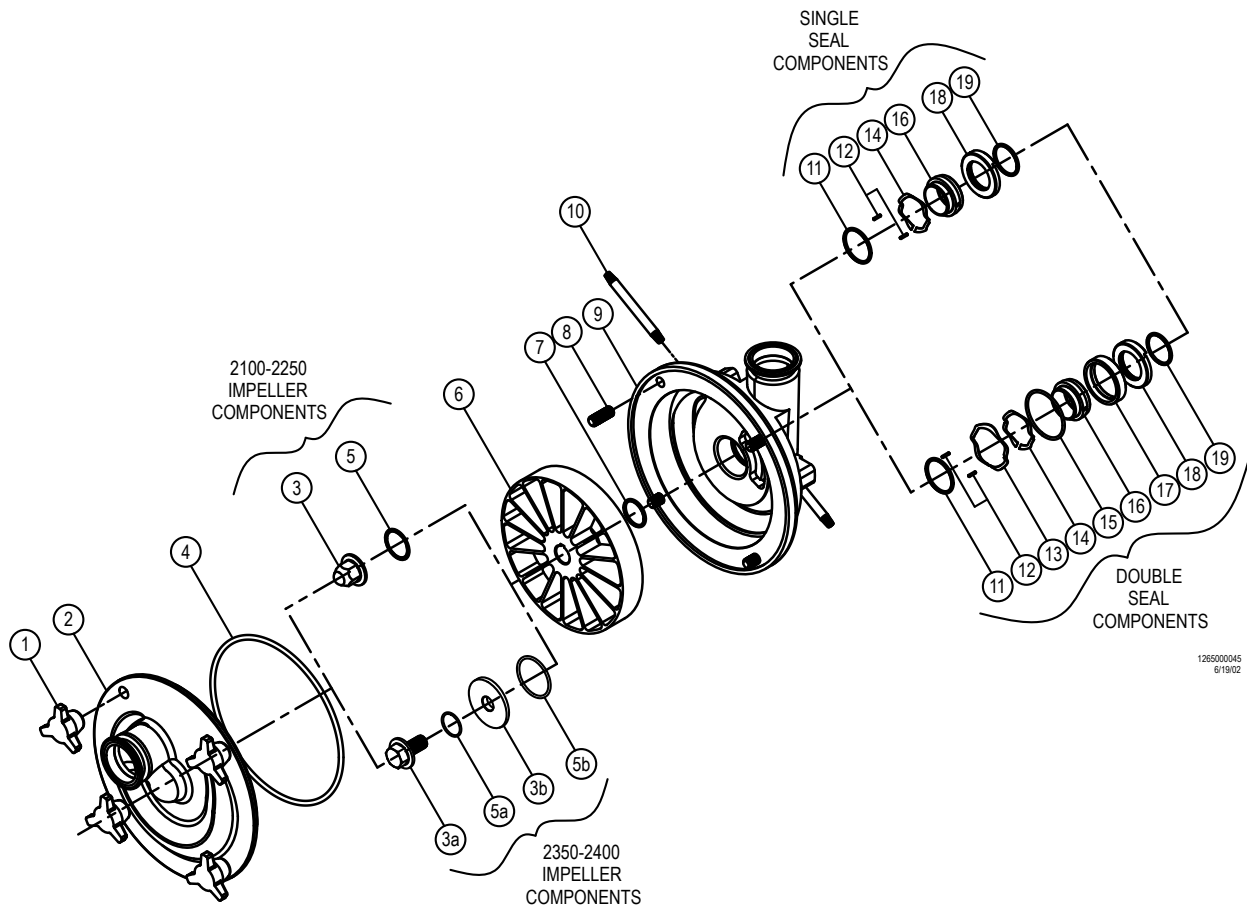
- 11. Inner Stationary Seal O-ring
- 12. Pin (installed in housing)
- 13. Outer Stationary Seal Spring
- 14. Inner Stationary Seal Spring
- 15. Outer Stationary Seal O-ring
- 16. Inner Stationary Seal
- 17. Outer Stationary Seal
- 18. Rotating Seal
- 19. Rotating Seal O-ring

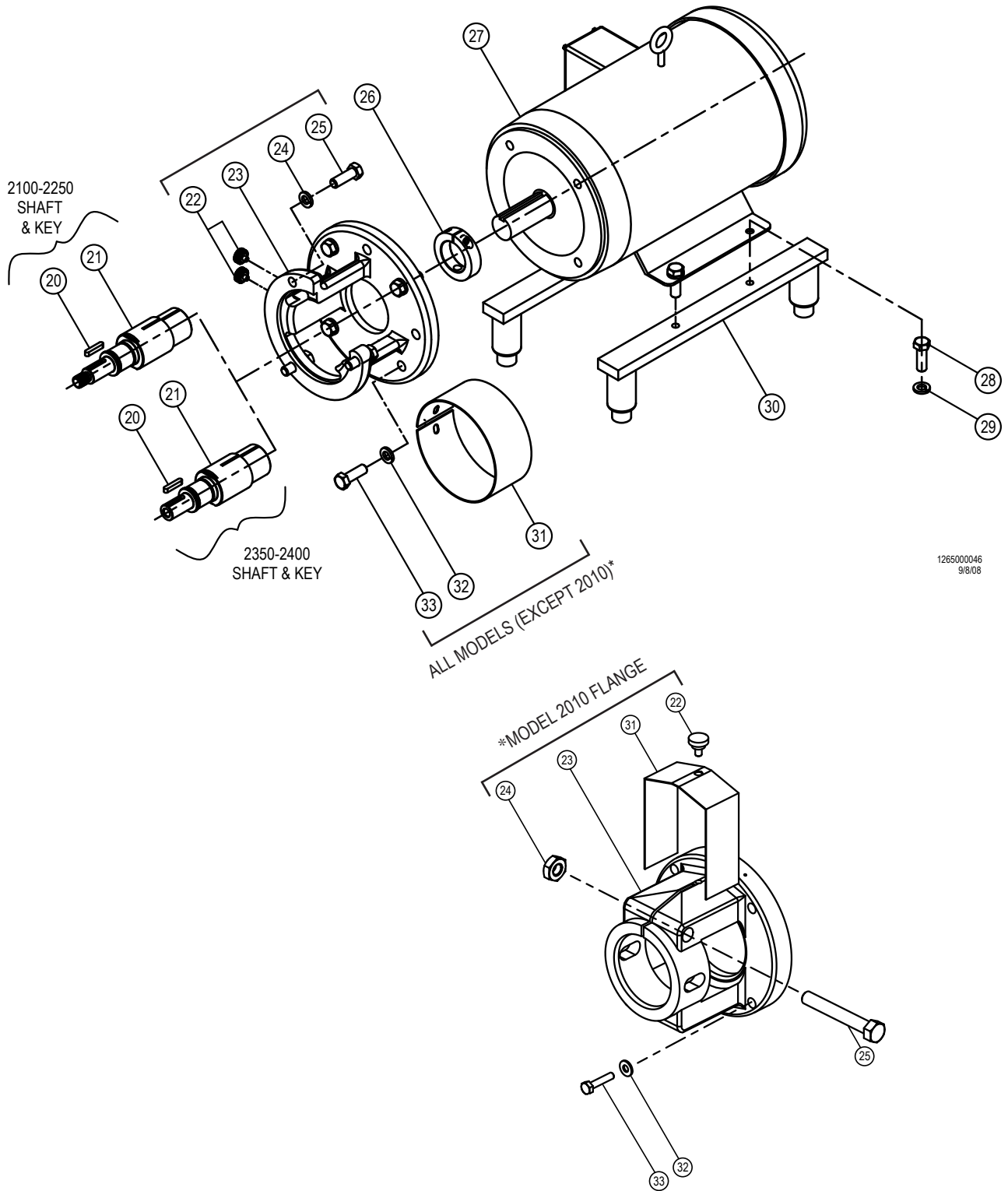
- 20. Impeller Key
- 21. Pump shaft
- 22. Guard Screws
- 23. Flange Support
- 24. Housing Bolt Washer
- 25. Housing Bolt
- 26. Shaft Clamping Ring
- 26a. Shaft Clamping Ring\*
- 27. Motor
- 28. Leg Bolt
- 29. Leg Bolt Washer
- 30. Leg Strap
- 31. Flange Guard
- 32. Motor Bolt Washer
- 33. Motor Bolt

\*parts for 2350 - 2400 models only

## SINGLE EXTERNAL SEAL

- 11. Inner Stationary Seal O-ring
- 12. Pin (installed in housing)
- 14. Inner Seal Spring
- 16. Inner Stationary Seal
- 18. Rotating Seal
- 19. Rotating Seal O-ring





## FZX 2010 PARTS LIST

Item No.	Description	Part Number	Previous Part No.	Qty.
1	Cover nut	1101000137		3
2	Pump cover	1531620000		1
3	Impeller nut	1954000000		1
4	Cover gasket (buna)	1180000382		1
5	Impeller nut gasket	1181000089		1
6	Impeller	1530630000		1
7	Impeller o-ring	1180000095	65503353	1
8	Housing studs (M10 x 303SS)	1103000175		3
9	Pump housing - single seal	1530610002		1
	Pump housing - double seal	1530610002		1
10	Water pipes	1910000007	58500714	2
11	Inner stationary seal o-ring (viton)	1180000398	65507191	1
12	Seal pin	1891000012	66507139	2
13	Outer stationary seal spring	1820000042	66507195	1
14	Inner seal spring	1820000041	66507194	1
15	Outer stationary seal o-ring (viton)	1180000115	65503717	1
16	Inner stationary seal (carbon)	1815600063	66507151	1
17	Outer stationary seal (carbon)	1815600042	66507152	1
18	Rotating seal (chrome oxide coated)	1810600051	66507150	1
19	Rotating seal o-ring (viton)	1180000086	65503080	1
20	Impeller key	1315000002		1
21	Shaft	1322000033		1
22	Guard screw	1102000000	63501412	1
23	Flange support	1310600259		1
24	Housing nut	1103000044		1
25	Housing bolt	1101000098		1
26	Shaft clamping ring	1318000013		1
31	Flange guard	1936000005		1
32	Motor bolt washer	1104000030		4
33	Motor bolt	1101000101		4

## FZX 2100 PARTS LIST

Item No.	Description	Part Number	Previous Part No.	Qty.
1	Cover nut	1103000028	58504738	3
2	Pump cover	1508620000	59507185	1
3	Impeller nut	1954000007	53501835	1
4	Cover gasket (buna)	1180000334	65500048	1
5	Impeller nut gasket	1181000083	65501825	1
6	Impeller	1508630000	55507185	1
7	Impeller o-ring	1180000095	65503353	1
8	Housing studs (M12 x 33SS)	1103000001	58500317	3
9	Pump housing - ss	1508610000	57507142	1
	Pump housing - ds	1508610001	57508126	1
10	Water pipes	1910000007	58500714	2
11	Inner stationary seal o-ring (viton)	1180000398	65507191	1
12	Pin	1891000012	66507139	2
13	Outer stationary seal spring	1820000042	66507195	1
14	Inner seal spring	1820000041	66507194	1
15	Outer stationary seal o-ring (viton)	1180000115	65503717	1
16	Inner stationary seal (carbon)	1815600063	66507151	1
17	Outer stationary seal (carbon)	1815600042	66507152	1
18	Rotating seal (chrome oxide coated)	1810600051	66507150	1
19	Rotating seal o-ring (viton)	1180000086	65503080	1
20	Impeller key	1315000018	53500310	1
21	Impeller shaft (180 frame)	1302000005	52507179	1
	Impeller shaft (210 frame)	1302000015	52507180	1
	Impeller shaft (100/112 IEC frame)	1302000016	52507181	1
22	Guard screws	1102000000	63501412	2
23	Flange support	1310600036	62507139	1
	Flange support (110/112 IEC frame)	1310600058	62507190	1
24	Housing bolt washer	1104000006	13506364	4
25	Housing bolt	1101000037	13505799	4
26	Shaft clamping ring (180 frame)	1318000014	53504917	1
	Shaft clamping ring (210 frame)	1318000015	53504918	1
	Shaft clamping ring (100/112 IEC frame)	1318000018	53505769	1
31	Flange guard	1936000043	63507189	1
32	Motor bolt washer	1104000031	13500568	4
33	Motor bolt	1101000082	13500564	4

## FZX 2150 PARTS LIST

Item No.	Description	Part Number	Previous Part No.	Qty.
1	Cover nut	1103000028	58504738	4
2	Pump cover	1508620001	59507186	1
3	Impeller nut	1954000007	53501835	1
4	Cover gasket (buna)	1180000334	65500048	1
5	Impeller nut gasket	1181000083	65501825	1
6	Impeller	1508630000	55507185	1
7	Impeller o-ring	1180000095	65503353	1
8	Housing studs (M12 x 33SS)	1103000001	58500317	3
9	Pump housing - ss	1508610000	57507142	1
	Pump housing - ds	1508610001	57508126	1
10	Water pipes	1910000007	58500714	2
11	Inner stationary seal o-ring (viton)	1180000398	65507191	1
12	pin	1891000012	66507139	2
13	Outer stationary seal spring	1820000042	66507195	1
14	Inner seal spring	1820000041	66507194	1
15	Outer stationary seal o-ring (viton)	1180000115	65503717	1
16	Inner stationary seal (carbon)	1815600063	66507151	1
17	Outer stationary seal (carbon)	1815600042	66507152	1
18	Rotating seal (chrome oxide coated)	1810600051	66507150	1
19	Rotating seal o-ring (viton)	1180000086	65503080	1
20	Impeller key	1315000018	53500310	1
21	Impeller shaft (210 frame)	1302000015	52507180	1
	Impeller shaft (100/112 IEC frame)	1302000016	52507181	1
22	Guard screws	1102000000	63501412	2
23	Flange support	1310600036	62507139	1
	Flange support (110/112 IEC frame)	1310600058	62507190	1
24	Housing bolt washer	1104000006	13506364	4
25	Housing bolt	1101000037	13505799	4
26	Shaft clamping ring (210 frame)	1318000015	53504918	1
	Shaft clamping ring (100/112 IEC frame)	1318000018	53505769	1
31	Flange guard	1936000043	63507189	1
32	Motor bolt washer	1104000031	13500568	4
33	Motor bolt	1101000082	13500564	4

## FZX 2200 PARTS LIST

Item No.	Description	Part Number	Previous Part No.	Qty.
1	Cover nut	1103000028	58504738	4
2	Pump cover	1512620000	59506256	1
3	Impeller nut	1954000007	53501835	1
4	Cover gasket (buna)	1180000363	65504685	1
5	Impeller nut gasket	1181000083	65501825	1
6	Impeller	1512630000	55506255	1
7	Impeller o-ring	1180000095	65503353	1
8	Housing studs (M12 x 33SS)	1103000001	58500317	4
9	Pump housing - ss	1512610000	57507146	1
	Pump housing - ds	1512610001	57508127	1
10	Water pipes	1910000007	58500714	2
11	Inner stationary seal o-ring (viton)	1180000398	65507191	1
12	pin	1891000012	66507139	2
13	Outer stationary seal spring	1820000042	66507195	1
14	Inner seal spring	1820000041	66507194	1
15	Outer stationary seal o-ring (viton)	1180000115	65503717	1
16	Inner stationary seal (carbon)	1815600063	66507151	1
17	Outer stationary seal (carbon)	1815600042	66507152	1
18	Rotating seal (chrome oxide coated)	1810600051	66507150	1
19	Rotating seal o-ring (viton)	1180000086	65503080	1
20	Impeller key	1315000018	53500310	1
21	Impeller shaft (180 frame)	1302000005	52507179	1
	Impeller shaft (210 frame)	1302000015	52507180	1
	Impeller shaft (250 frame)	1302000023	52507148	1
	Impeller shaft (100/112 IEC frame)	1302000016	52507181	1
	Impeller shaft (132 IEC frame)	1302000017	52507182	1
22	Guard screws	1102000000	63501412	2
23	Flange support (180-250 frame)	1310600036	62507139	1
	Flange support (110/112 IEC frame)	1310600058	62507190	1
	Flange support (132 IEC frame)	1310600059	62507198	1
24	Housing bolt washer	1104000006	13506364	4
25	Housing bolt	1101000037	13505799	4
26	Shaft clamping ring (180 frame)	1318000014	53504917	1
	Shaft clamping ring (210 frame)	1318000015	53504918	1
	Shaft clamping ring (250 frame)	1318000016	53504919	1
	Shaft clamping ring (100/112 IEC frame)	1318000018	53505769	1
	Shaft clamping ring (132 IEC frame)	1318000019	53505065	1
31	Flange guard	1936000043	63507189	1
32	Motor bolt washer	1104000031	13500568	4
33	Motor bolt	1101000082	13500564	4

## FZX 2250 PARTS LIST

Item No.	Description	Part Number	Previous Part No.	Qty.
1	Cover nut	1103000028	58504738	5
2	Pump cover (2.5" fitting)	1514620000	59507187	1
3	Impeller nut	1954000007	53501835	1
4	Cover gasket (buna)	1180000363	65504685	1
5	Impeller nut gasket	1181000083	65501825	1
6	Impeller	1514630000	55507189	1
7	Impeller o-ring	1180000095	65503353	1
8	Housing studs (M12 x 33SS)	1103000001	58500317	5
9	Pump housing - ss	1514610000	57507143	1
	Pump housing - ds	1514610001	57508128	1
10	Water pipes	1910000007	58500714	2
11	Inner stationary seal o-ring (viton)	1180000398	65507191	1
12	pin	1891000012	66507139	2
13	Outer stationary seal spring	1820000042	66507195	1
14	Inner seal spring	1820000041	66507194	1
15	Outer stationary seal o-ring (viton)	1180000115	65503717	1
16	Inner stationary seal (carbon)	1815600063	66507151	1
17	Outer stationary seal (carbon)	1815600042	66507152	1
18	Rotating seal (chrome oxide coated)	1810600051	66507150	1
19	Rotating seal o-ring (viton)	1180000086	65503080	1
20	Impeller key	1315000018	53500310	1
21	Impeller shaft (180 frame)	1302000005	52507179	1
	Impeller shaft (210 frame)	1302000015	52507180	1
	Impeller shaft (250 frame)	1302000023	52507148	1
	Impeller shaft (100/112 IEC frame)	1302000016	52507181	1
	Impeller shaft (132 IEC frame)	1302000017	52507182	1
22	Guard screws	1102000000	63501412	2
23	Flange support (180-250 frame)	1310600036	62507139	1
	Flange support (110/112 IEC frame)	1310600058	62507190	1
	Flange support (132 IEC frame)	1310600059	62507198	1
24	Housing bolt washer	1104000006	13506364	4
25	Housing bolt	1101000037	13505799	4
26	Shaft clamping ring (180 frame)	1318000014	53504917	1
	Shaft clamping ring (210 frame)	1318000015	53504918	1
	Shaft clamping ring (250 frame)	1318000016	53504919	1
	Shaft clamping ring (100/112 IEC frame)	1318000018	53505769	1
	Shaft clamping ring (132 IEC frame)	1318000019	53505065	1
31	Flange guard	1936000043	63507189	1
32	Motor bolt washer	1104000031	13500568	4
33	Motor bolt	1101000082	13500564	4

## FZX 2350 PARTS LIST

Item No.	Description	Part Number	Qty.
1	Cover nut	1103000028	5
2	Pump cover (3" fitting)	1516620000	1
3a	Impeller bolt	1102000001	1
3b	Impeller bolt washer	1104000049	1
4	Cover gasket (buna)	1180000339	1
5a	Impeller bolt o-ring	1180000085	1
5b	Impeller washer oring	1180000474	1
6	Impeller	1516630000	1
7	Impeller o-ring	1180000474	1
8	Housing studs (M12 x 33SS)	1103000013	5
9	Pump housing - w/3" fitting	1516610000	1
10	Water pipes	1910000007	2
11	Inner stationary seal o-ring (viton)	1180000233	1
12	Seal pin (5/32" od by 5/8" long ss)	1891000033	2
13	Seal spring, double	1820000050	1
14	Seal spring, single	1820000048	1
15	Outer stationary seal o-ring (viton)	1180000234	1
16	Inner stationary seal (carbon)	1815600088	1
	Inner stationary seal (silicon carbide)	1815600089	
17	Outer stationary seal (carbon)	1815600090	1
18	Rotating seal (chrome oxide coated)	1810600095	1
	Rotating seal (silicon carbide)	1810600096	
19	Rotating seal o-ring (viton)	1180000467	1
20	Impeller key	1315000033	1
21	Impeller shaft	1302000104	
22	Guard screws	1102000000	2
23	Flange support	1310600121	1
24	Housing bolt washer	1104000013	3
25	Housing bolt	1101000001	3
26	Shaft clamping bolt	1318000027	1
31	Flange guard	1936000252	1
32	Motor bolt washer	1104000037	4
33	Motor bolt	1101000110	4

## FZX 2400 PARTS LIST

Item No.	Description	Part Number	Qty.
1	Cover nut	1103000028	5
2	Pump cover (3" fitting)	1518620000	1
3a	Impeller bolt	1102000001	1
3b	Impeller bolt washer	1104000049	1
4	Cover gasket (buna)	1180000020	1
5a	Impeller bolt o-ring	1180000085	1
5b	Impeller washer oring	1180000474	1
6	Impeller	1518230000	1
7	Impeller o-ring	1180000474	1
8	Housing studs (M12 x 33SS)	1103000013	5
9	Pump housing - w/3" fitting	1518610000	1
10	Water pipes	1910000007	2
11	Inner stationary seal o-ring (viton)	1180000233	1
12	Seal pin (5/32" od by 5/8" long ss)	1891000033	2
13	Seal spring, double	1820000050	1
14	Seal spring, single	1820000048	1
15	Outer stationary seal o-ring (viton)	1180000234	1
16	Inner stationary seal (carbon)	1815600088	1
	Inner stationary seal (silicon carbide)	1815600089	
17	Outer stationary seal (carbon)	1815600090	1
18	Rotating seal (chrome oxide coated)	1810600095	1
	Rotating seal (silicon carbide)	1810600096	
19	Rotating seal o-ring (viton)	1180000467	1
20	Impeller key	1315000033	1
21	Impeller shaft (324-326TC)	1302000092	
	Impeller shaft (364-365TC)	1302000093	
22	Guard screws	1102000000	2
23	Flange support (324-365TC)	1310600080	1
24	Housing bolt washer	1104000013	3
25	Housing bolt	1101000001	3
26	Shaft clamping ring (324-326TC)	1318000023	2
	Shaft clamping ring (364-365TC)	1318000024	
31	Flange guard	1936000080	1
32	Motor bolt washer	1104000037	4
33	Motor bolt	1101000110	4